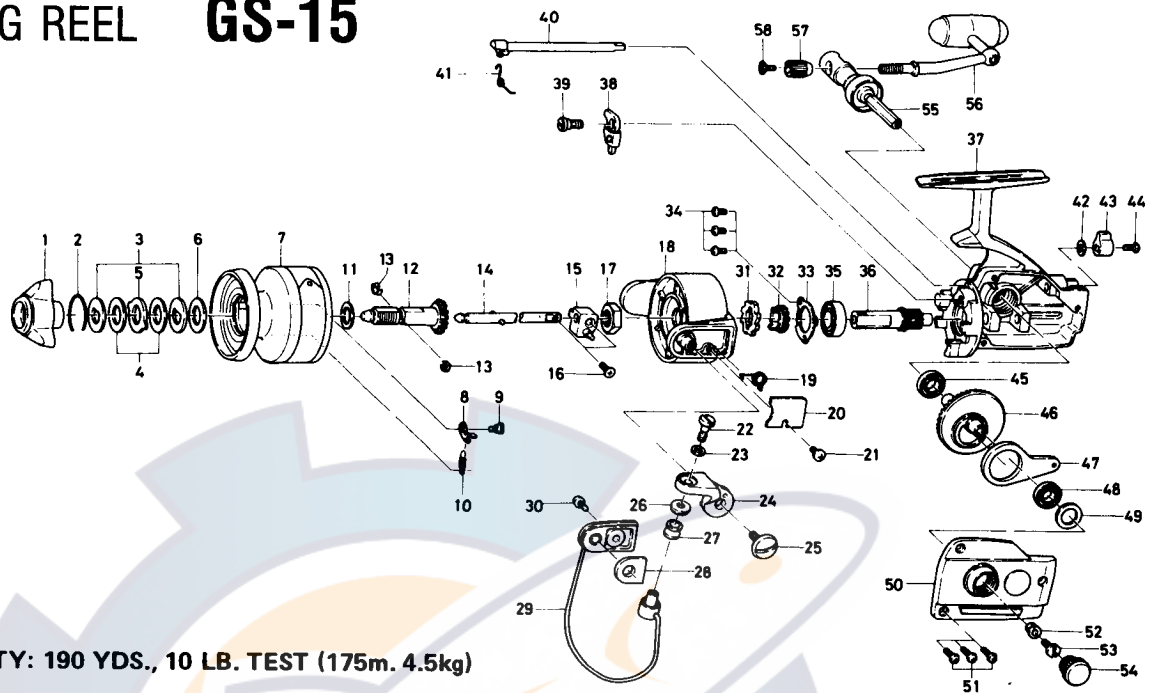


SPINNING REEL GS-15



LINE CAPACITY: 190 YDS., 10 LB. TEST (175m. 4.5kg)

| | | | |
|-----------------|------------|-----------------|---------|
| Key No. 1 ~ 13 | 6-733-1803 | Spool assembly | \$12.95 |
| Key No. 55 ~ 58 | 6-747-2701 | Handle assembly | 5.00 |

| Key No. | Parts No. | Parts Name | Price Per Piece | Key No. | Parts No. | Parts Name | Price Per Piece |
|---------|------------|--------------------------|-----------------|---------|------------|--------------------------------|-----------------|
| 1 | 6-740-3311 | Drag knob | \$.85 | 30 | 6-351-6601 | Bail holder screw | \$.10 |
| 2 | 6-170-4601 | Drag washer retainer | .10 | 31 | 6-280-7901 | Ratchet | .70 |
| 3 | 6-374-4802 | Drag D washer | .15 | 32 | 6-270-8401 | Click gear | .40 |
| 4 | 6-373-3701 | Disc washer | .25 | 33 | 6-321-0201 | Ball bearing ret. washer | .15 |
| 5 | 6-373-3603 | Drag A washer | .15 | 34 | 6-351-0901 | Ball bearing ret. washer screw | .10 |
| 6 | 6-373-3704 | Drag washer A | .15 | 35 | 6-635-4801 | Ball bearing | 4.00 |
| 7 | 6-732-7602 | Spool | N/A | 36 | 6-402-8701 | Pinion gear | 1.80 |
| 8 | 6-030-5311 | Spool click claw | .35 | 37 | 6-701-1202 | Body | 9.80 |
| 9 | 6-363-4501 | Spool click claw screw | .15 | 38 | 6-770-1601 | Anti-reverse claw | 1.10 |
| 10 | 6-142-0011 | Spool click claw spring | .15 | 39 | 6-363-7101 | Anti-reverse claw screw | .25 |
| 11 | 6-375-5701 | Spool washer | .10 | 40 | 6-461-5712 | Anti-reverse cam | .80 |
| 12 | 6-720-1721 | Spool metal | 1.35 | 41 | 6-144-0301 | Anti-reverse cam spring | .15 |
| 13 | 6-151-7211 | Spool metal leaf spring | .15 | 42 | 6-371-6903 | Anti-reverse lever washer | .10 |
| 14 | 6-711-2902 | Main shaft | 2.30 | 43 | 6-541-6201 | Anti-reverse lever | .45 |
| 15 | 6-637-0102 | Oscillating support | .70 | 44 | 6-353-4401 | Anti-reverse lever screw | .10 |
| 16 | 6-351-5311 | Oscillating slider screw | .10 | 45 | 6-634-1301 | Ball bearing | 3.00 |
| 17 | 6-340-8301 | Rotor nut | .20 | 46 | 6-413-9001 | Drive gear | 3.90 |
| 18 | 6-202-0202 | Rotor | 4.55 | 47 | 6-481-2101 | Oscillating slider | .45 |
| 19 | 6-142-6721 | Bail spring | .10 | 48 | 6-634-1301 | Ball bearing | 3.00 |
| 20 | 6-634-1501 | Bail spring cover | .15 | 49 | 6-372-8600 | Drive gear washer | .10 |
| 21 | 6-351-1801 | Bail spring cover screw | .10 | 50 | 6-706-7702 | Body cover | 3.70 |
| 22 | 6-353-1811 | Bail screw | .20 | 51 | 6-351-7801 | Body cover screw | .10 |
| 23 | 6-375-1001 | Arm washer | .10 | 52 | 6-501-8501 | Handle screw holder | .50 |
| 24 | 6-231-1701 | Arm lever | .40 | 53 | 6-363-8501 | Handle screw | .15 |
| 25 | 6-363-5201 | Arm lever screw | .45 | 54 | 6-363-6002 | Handle screw cap | .50 |
| 26 | 6-501-1601 | Roller collar | .20 | 55 | 6-747-2601 | Handle stand | 1.75 |
| 27 | 6-250-4211 | Line roller | .30 | 56 | 6-747-2901 | Handle arm | 3.25 |
| 28 | 6-210-3701 | Balancer | .35 | 57 | 6-342-3001 | Handle arm ret. nut | .50 |
| 29 | 6-725-6012 | Bail | 1.95 | 58 | 6-353-0701 | Handle arm ret. nut screw | .10 |